

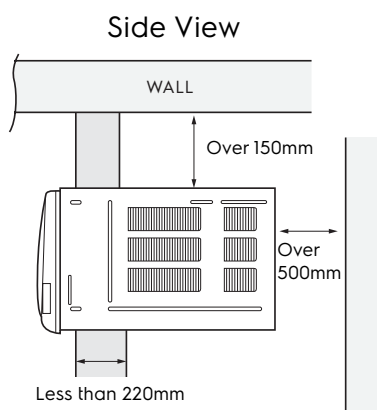
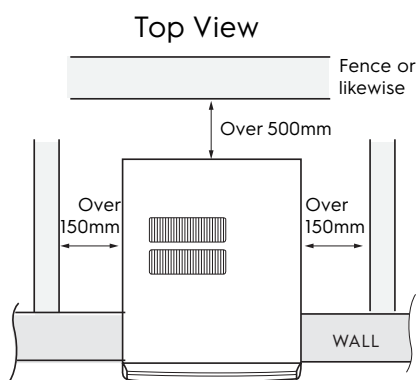
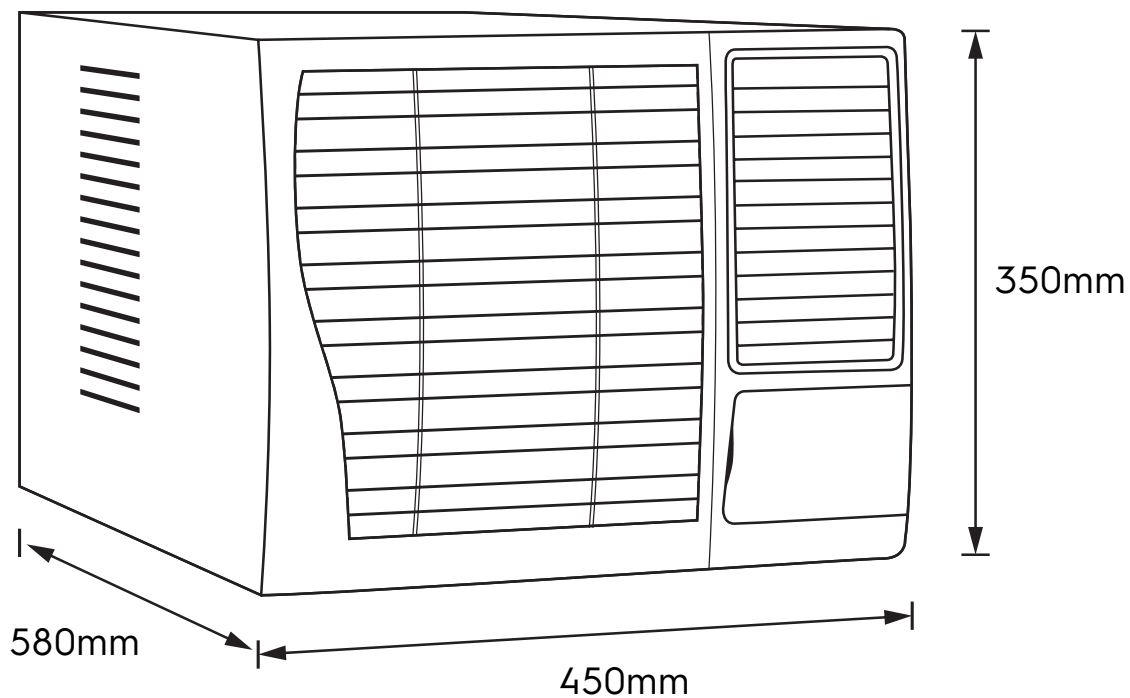
# Dimension Guide

## Window type air conditioner

**Model:**  
EWF073CM5WA

### Dimensions

	width	height	depth
Product (mm)	450	350	580



**Please note!** Dimensions to be used as a guide only. All customers MUST refer to the user manual supplied with the product for detailed installation instructions.

© 2022 Electrolux S.E.A PTE. LTD. E\_DIM\_EWF073CM5WA\_Jan22