

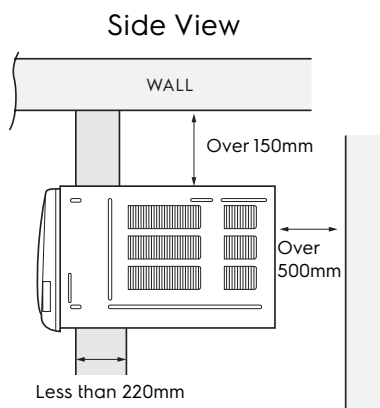
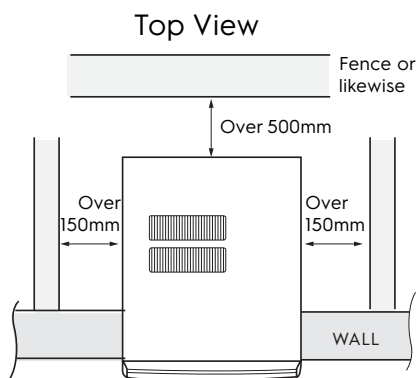
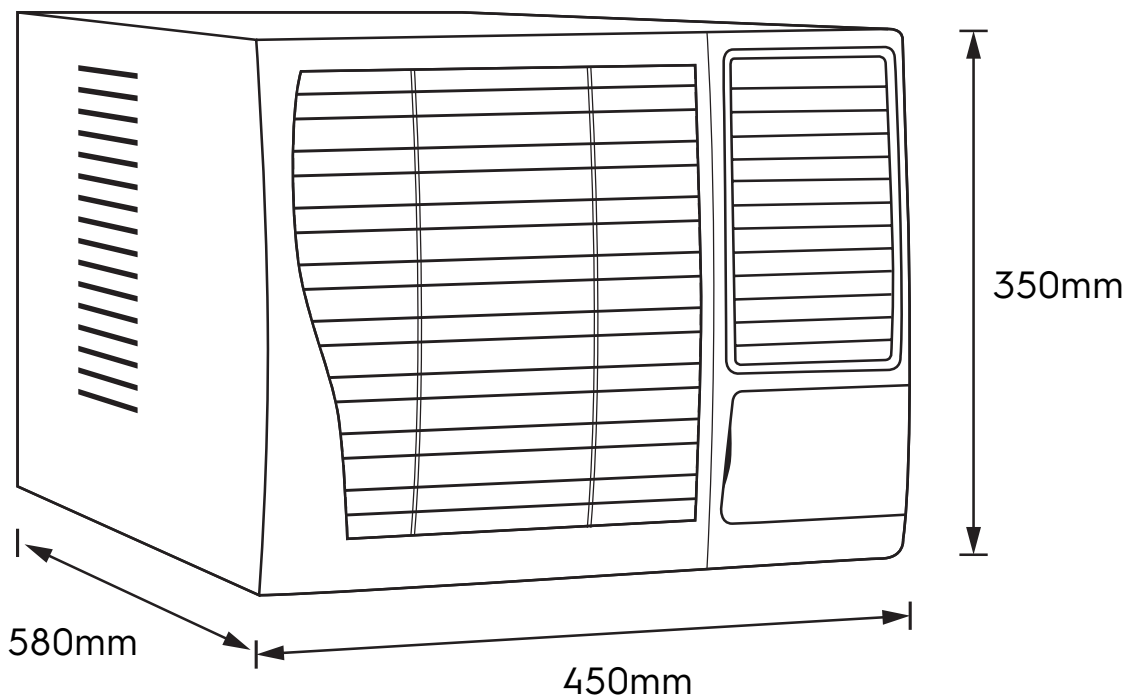
Dimension Guide

Window type air conditioner

Model:
EWF093CM5WA

Dimensions

	width	height	depth
Product (mm)	450	350	580



Please note! Dimensions to be used as a guide only. All customers MUST refer to the user manual supplied with the product for detailed installation instructions.

© 2022 Electrolux S.E.A PTE. LTD. E_DIM_EWF093CM5WA_Jan22