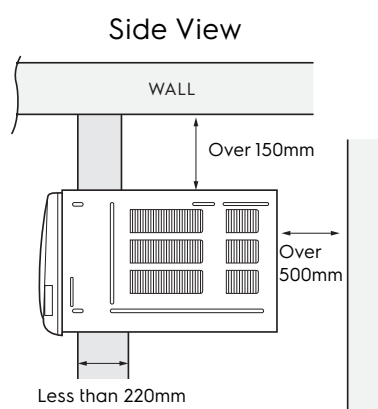
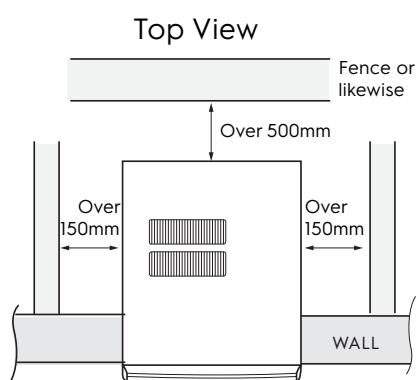
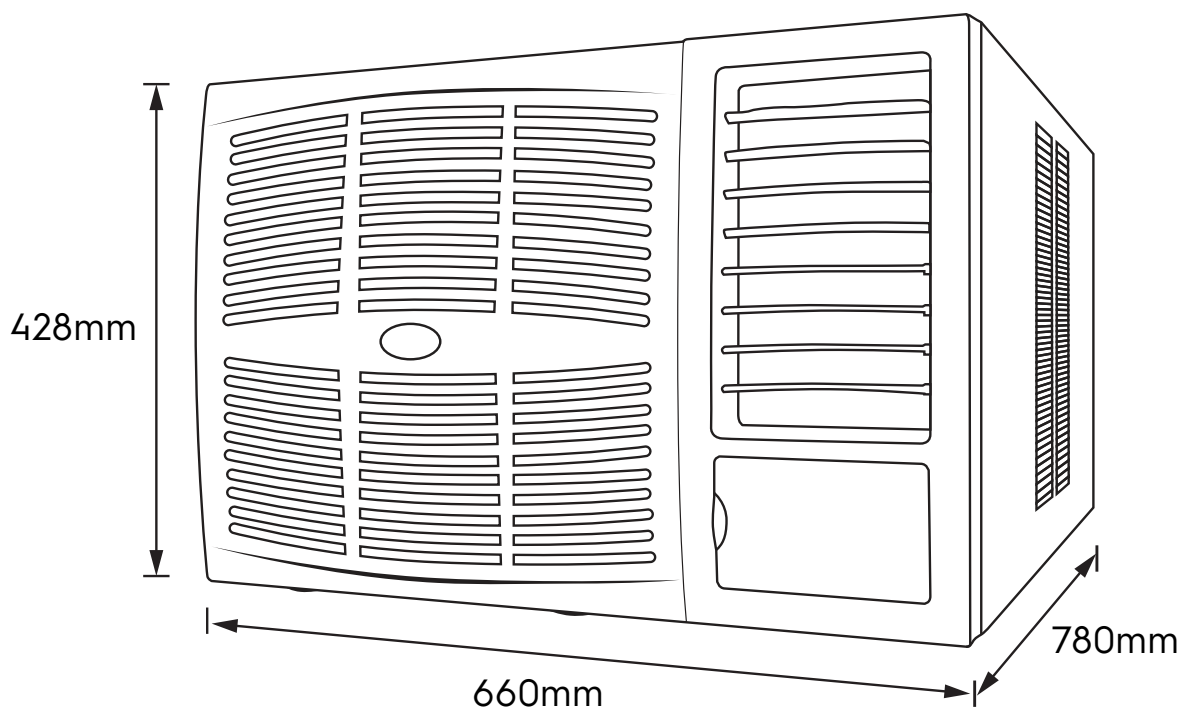


# Dimension Guide

## Window mounted air conditioner

**Model:**  
EWW185CRIWA

Dimensions			
	width	height	depth
Product (mm)	660	428	780



**Please note!** Dimensions to be used as a guide only. All customers MUST refer to the user manual supplied with the product for detailed installation instructions.

© 2022 Electrolux S.E.A PTE. LTD. E\_DIM\_EWW185CRIWA\_Dec22